



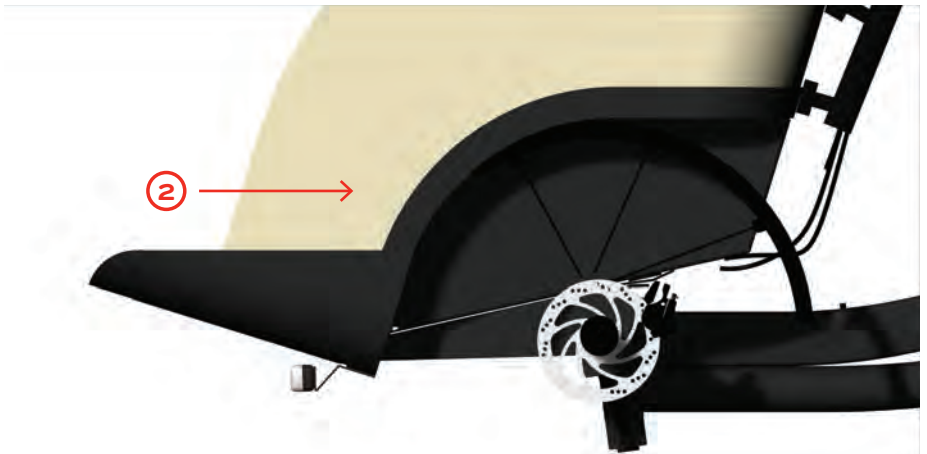
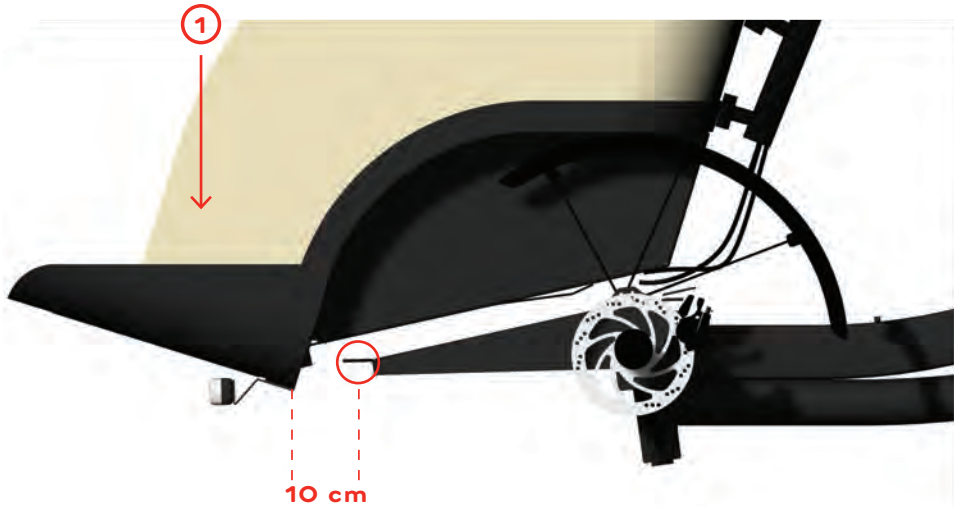
## ASSEMBLING THE BIKE

---



**IMPORTANT:** We recommend that you purchase the bike fully assembled. In case you purchase the bike semi-assembled, in order to maintain the full guarantee it is mandatory that the assembly follows our instructions and it is done by a qualified and educated bike mechanic.

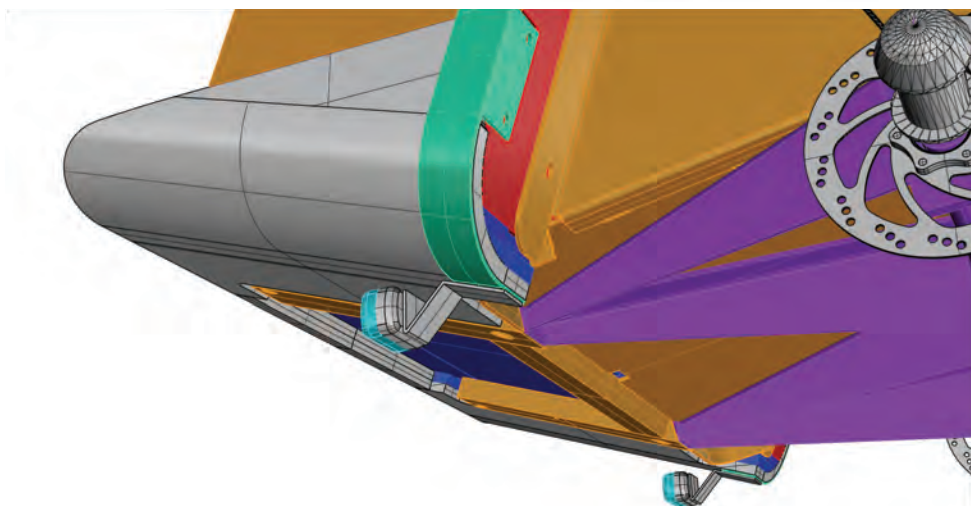
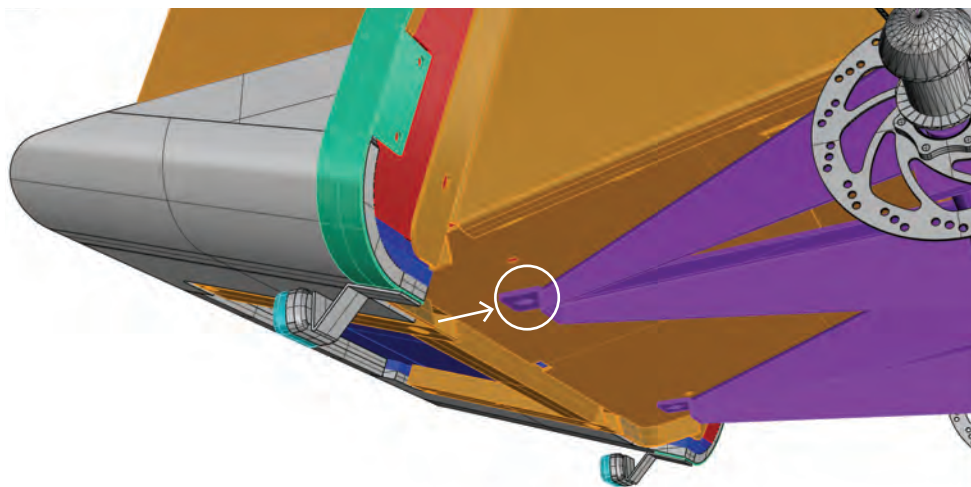
**1-** Place the box on the front metal frame, 10 cm more in front than the front eyelets on the front metal frame.



**2-** When placed on the front frame, the box has to slide backward in order to let the front eyelets enter into the box frame.

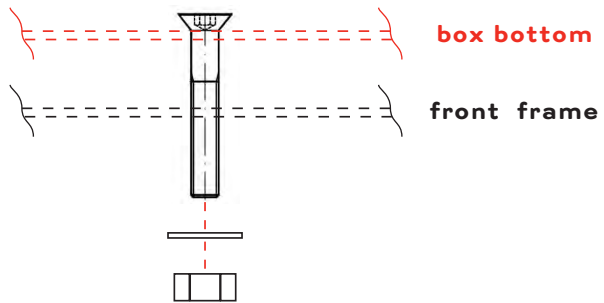
## ASSEMBLING THE BIKE

---



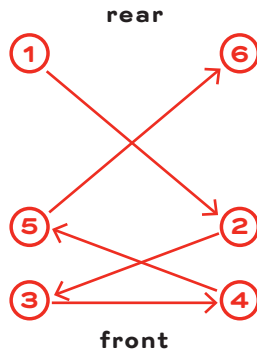
**3-** Check that the box is placed correctly on the front metal frame. The 2 front eyelets have to enter in the box frame.

## ASSEMBLING THE BIKE



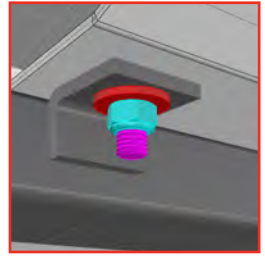
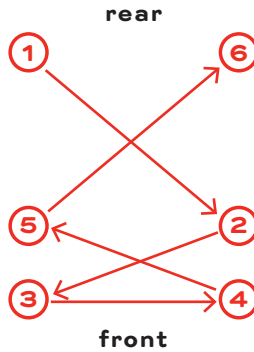
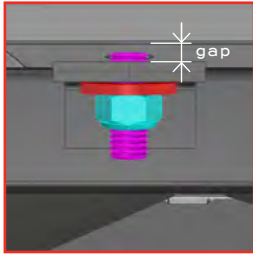
**4-** Check that all the holes on the box are aligned to the holes on the front frame. If they're aligned, Place 6 M8 bolts in the marked holes, from the top. Place the washers + nuts under the base **WITHOUT TIGHTING**. M8 bolts are the big and long ones.

## ASSEMBLING THE BIKE



**5-** Slightly tight all the 6 bolts inserted before, following the sequence shown above.  
Use 3 Nm force.

## ASSEMBLING THE BIKE

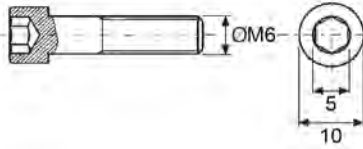


**6-** Tight all the 6 bolts inserted before, following the same sequence.

This time use a force of 6 Nm.

**IMPORTANT:** a gap of 3-5 mm between the rear eyelets and the box is normal. Don't tight too much the bolts on the rear eyelets, it will stress too much the metal parts. All the 6 bolts have to be tightened with the same force (6 Nm).

## ASSEMBLING THE BIKE



7- Unscrew the 4 M6 bolts-nuts you find on the backrest.

## ASSEMBLING THE BIKE

---



**8-** Mount the handlebar using the 4 M6 bolts (the ones with washers on the top, the ones without on the bottom) + 4 M6 nuts (bolt outside, nuts inside). Seatbelts brackets have to be placed between the nuts and the metal plate.